



GreenField

Compressor Type D65W/D65

Water Cooled And Air Cooled

The water-cooled, lubricated trunk-piston compressor type D64W offers field-proven ruggedness and reliability. Due to its simple and compact design the unit is space-saving and easy to maintain. The frame mounted compressor is bedded on vibration dampening elements and therefore requires no special foundation or factory erectors for its easy installation. Low compression ratios per stage allow high cylinder loads with comparable low temperatures. Results are high volumetric efficiency, low maintenance and more safety.



Reliability and ruggedness Your benefit:

- Final Pressure up to 501 bar
- Pressure tight, sealed crankcase
- Flow rate up to 600 Sm³/h
- High volumetric efficiency, low maintenance, more safety
- Easy to install, no special foundation required
- Easy to maintain
- Simple compact desing

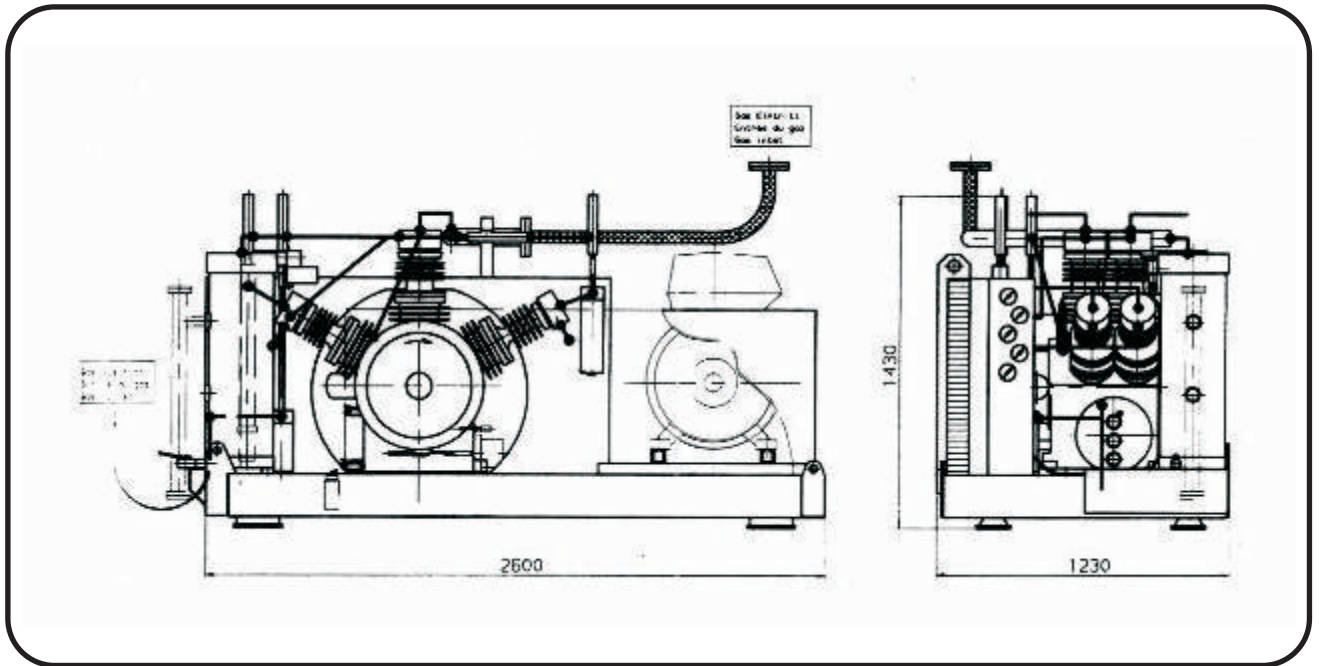
RASTGAR
www.rastgar.com

Permium High Pressure Systems
Compressors

Certified ISO 9001~2000 by

BVQi

Permium High Pressure Systems Compressors



Technical Data

| | |
|-------------------|---|
| Suction Pressure: | up to 5 PSIG |
| Final Pressure: | up to 500 barg |
| Flow Rate: | 600 Sm ³ /h |
| Temperature rang: | -20C bis +45C |
| Power Supply: | max. 150 kW |
| Weight: | Approx. 1700 kg (without motor) |
| Gases: | Natural gas, H ₂ , noble gases, air, typical industrial gases, etc. |
| Applications: | CNG and H ₂ refueling systems, bottle filling, oil and gas production, chemical/petrochemical industry, gas purification and recovery, air-blast circuit breaker systems, Seismic oil and gas exploration, exploration, etc. |
| Options: | Filter systems, control cabinets, acoustic canopies, etc. |



GreenField

Green Field Compression Inc.
909 North Bowser Road
Richardson, TX 75081-2823
www.greenfieldcompression.com

Tel : (972) 889-2400
Fax : (972) 231-0790
info@gfcomp.com
www.gfcomp.com

RASTGAR & CO

1 1 1 - 7 2 7 - 7 7 7

RASTGAR & COMPANY (PVT.) LIMITED

Plot # 9, Sector 28, Darul Uloom Road, Korangi Industrial Area, Karachi-75180, Pakistan
Fax: +92 21 35123112 Email: ko@rastgar.com Web: www.rastgar.com

KARACHI

LAHORE

ISLAMABAD

• SALES • SERVICES • SPARES • SOLUTIONS