

WORLD CLASS · EFFICIENCY · RELIABILITY

LEGACY

PORTABLE DIESEL COMPRESSORS



Engineering the Future

www.kaishanmea.com



KAISHAN Holding Group Co Ltd, 9 Kaixuan West Economic Development Zone Quzhou Zhejiang 324002



KAISHAN United States, 15445 Industrial Park, Dr, Loxley ALABAMA, 36551



LMF headquarters in Leobersdorf, Austria.



Optimised package design

Service

- Global service network through factory trained partners
- Genuine LMF spare parts available globally
- Industry leading warranties



- Low pressure drop
- Oversized ventilation for high temperatures
- Direct drive air end
- Low noise and vibration



Air end technology

The latest high efficiency air end

- The latest high efficiency profile
- Large rotors and low speed design
- High quality bearing, design life, more than 100,000 hours
- Low noise
- Low vibration



Profile evolution process



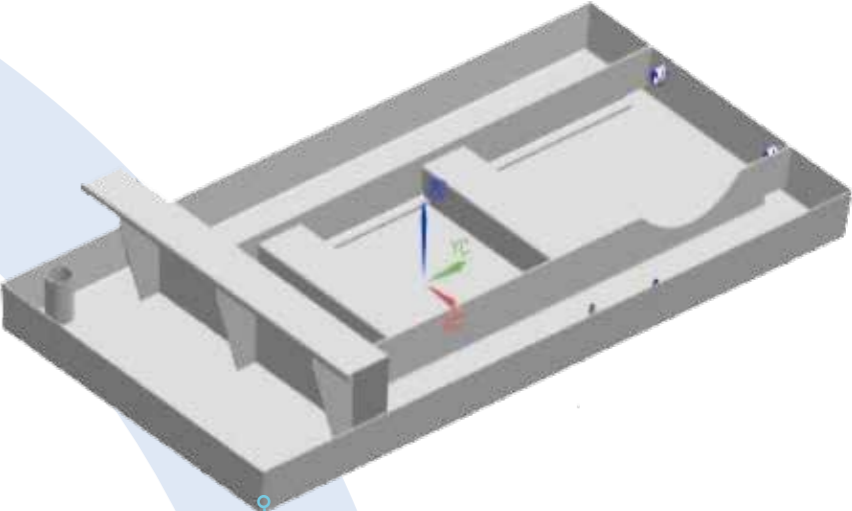
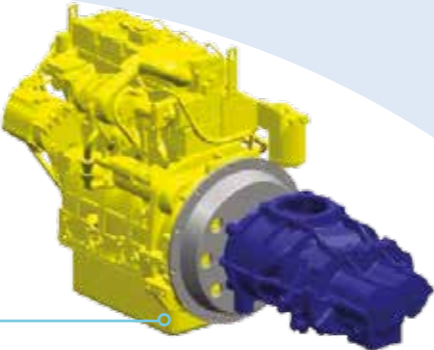
worldwide compressor technology

worldwide compressor technology

Our solutions are your benefits.



- 1 Direct Drive**
- Running at slow speeds from 1350 rpm to 2200 rpm
 - Running noise level at 79 DbA
 - Lower fuel cost as low as 2.9 gal per H/r
 - Extended service intervals 2000 to 4000 hours
 - Longer life expectancy for both Airend and Engine
 - Light weight easy to or lifting



- 2 Floor Plan**
- Fully banded floor pan, including twin drain valves insuring all fluid over spill is captured
 - Environmentally friendly

- 6 Airend Options**
- Two stage airend options for higher pressures and efficiencies



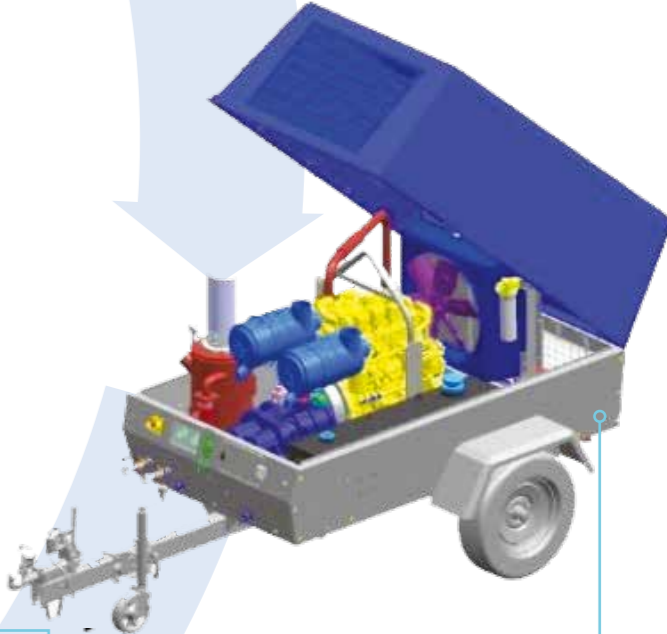
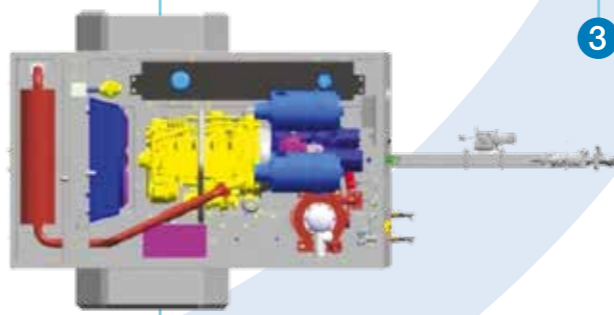
- 5 Chassis and Frame**
- Heavy duty style frame for durability
 - Heavy duty style jockey wheel for endurance
 - Hinged to bar with ring hitch
 - Solid lock hand break as standard



- 4 Starting and Monitoring**
- Patented design control Panel monitors both teh Engine and Air side
 - 20% fuel level indicator
 - Engine temperature
 - Low oil level both Engine and Airend
 - Service time indicator
 - Cold start
 - Key operated
 - Emergency stop, Soft start



- 3 Compact Design**
- High temperature tropical design
 - Air cooled unit with compact flow designed split cooler for both Engine and Airend guaranteeing the unit will not over heat during peak temperatures seasons



Distinctive advantage of LMF Portable Rotary Screw Air Compressors

Standard Features

- High-efficiency rotary screw assembly
- Cummins or CAT Engine options
- High Capacity, low pressure drop and high precision air filter
- 4,000 hours service life synthetic lubricant
- 4,000 hours service life oil separator
- Loading-unloading capacity control function
- Sequence control
- Excellent micro-computer controller

Additional Options

- Aftercooler option available
- Spark arrestor/chalwyn valve can be fitted
- Condensate trap available
- Up to 35 bar pressure available
- Portable electric options available

Air filter

- High precision
- Large capacity
- Large capacity



Oil filter

- Environmental filter material
- Filtering accuracy over 99.5%

Oil separator

- Fluid carryover less than 2ppm

Air filter

HS4000

- High oxidative stability
- Low oil carryover
- High-flash point
- Non-adhesive
- Anti-corrosion
- High thermal conductivity



EL8000

- Long service life
- Low oil carryover
- High-flash point
- Non-adhesive
- Anti-corrosion
- High thermal conductivity

When the machine is serviced according to the schedule set out in the operator manual and when genuine LMF spare parts and lubricants are used, the air end will have a 5 year or 30,000 hour warranty.

LMF LGCY series

Portable Diesel Compressor Specifications

MODEL	POWER	FLOW cfm	SOUND	WEIGHT	DIMENSIONS (mm)
	KW	w/press	dBA	kg	LxWxH
LGCY 4/7	93		82	1850	3140/1700/1850
LGCY P210	45	210	82	896	3050/1565/1450
LGCY 6/7	93	211	82	1850	3140/1700/1850
LGCY 7/7	93	260	82	1900	3140/1700/1850
LGCY 10/7	93	375	82	1950	3140/1700/1850
LGCY 10/10	93	350	82	1950	3140/1700/1850
LGCY 12/10	110	450	82	2000	3500/1850/2100
LGCY 13/13					
LGCY 15/14.5	132	536	82	2400	3000/1520/2200
LGCY 17/7					
LGCY 18/17					
LGCY 22/8	194	825	82	4000	3765/1800/2213
LGCY 22/10	194	777	82	4000	3765/1800/2213
LGCY 19.5/19					
LGCY 26/20					
LGCY 27/8	239	950	82	4800	4300/1950/2750
LGCY 27/13	239	900	82	4800	4300/1950/2750
LGCY 27/22	239		82	4800	4300/1950/2750
LGCY 26/25					
LGCY 21/35					
LGCY 33/25					
LGCY 39/25					
LGCY 33/35					
LGCY 32/10					
LGCY 22/14	194	680	82	4000	3765/1800/2213



**2 YEAR
AIREND
WARRANTY**



worldwide compressor technology

worldwide compressor technology

LMF Austria

Leobersdorfer Maschinenfabrik

Suedbahnstr. 28
A-2544 Leobersdorf
phone +43-2256-9001
fax: +43-2256-9002
sales@LMF.at
service@LMF.at

CHINA

KAISHAN Holding Group Co Ltd

9 Kaixuan West Road
Economic Development Zone
Quzhou Zhejiang 324002
China
Phone: +86 137 200 970 97
chinaservice@kaishangroup.com

USA

KAISHAN United States

15445 Industrial Park
Dr, Loxley ALABAMA, 36551
phone: +1 251 257 0586
Info@kaishanusa.com

MEA

KAISHAN MEA

Building FZS2AA07
Jebel Ali Free Zone, South Dubai UAE
Phone: +971 52 277 0949 / +971 50 155 2132
info@kaishanmea.com

EUROPE

KAISHAN Europe

Taneczna 82, 02-829
Warszawa, Poland
phone: +48 22 322 86 65
fax: +7 495 737 08 1
info@kaishaneurope.com

AUSTRALIA

KAISHAN Australia

Southern Cross Compressors Australia Pty Ltd
Air & Process Gas Compressors Melbourne -
134-140 Atlantic Drive Keysborough,
Victoria (VIC) 3173
phone: + 61 1300 098 9

RUSSIA

LMF Russia

Khimki, Kommunalny Proezd,
Building 30, Floor 2, Office 5305
141400, Moscow region
phone: +7 495 737 08 71, 72
fax: +7 495 737 08 1
russia@LMF.at



Engineering the Future

www.kaishanmea.com